

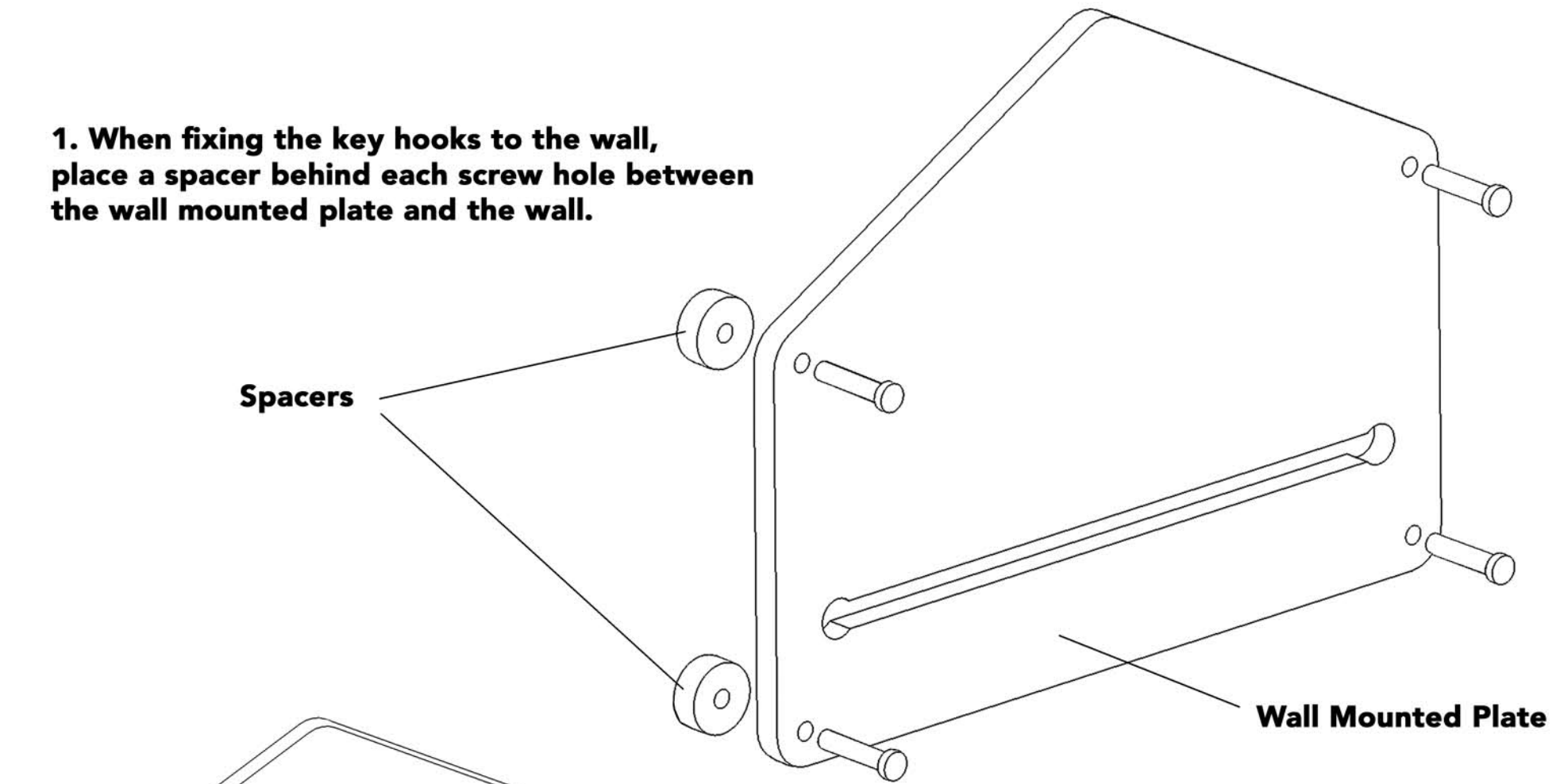
# Key Hooks Instructions

**Warning: Screws and wall fixings are not included with this product, please use appropriate fixings for your needs and seek professional advice where necessary.**

**1. When fixing the key hooks to the wall, place a spacer behind each screw hole between the wall mounted plate and the wall.**

Spacers

Wall Mounted Plate

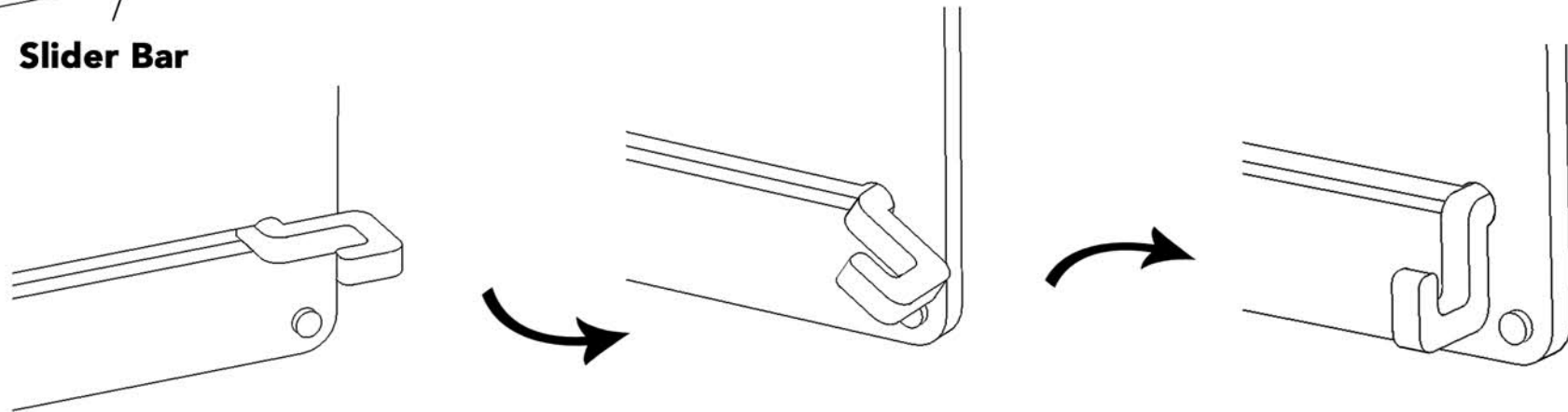
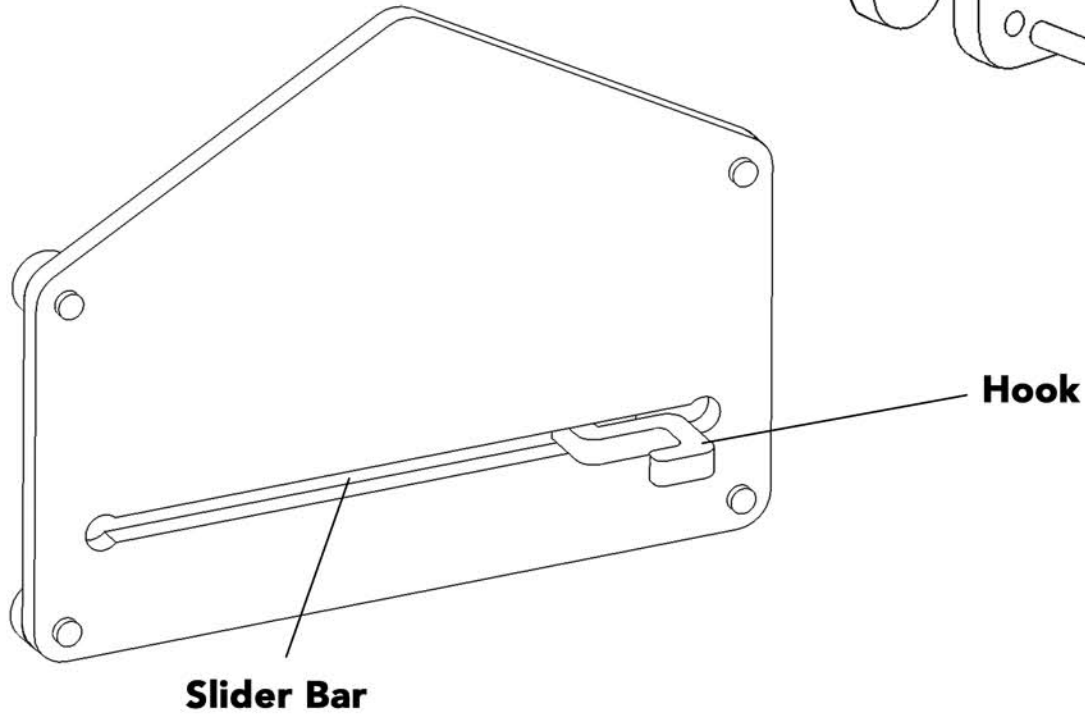


Hook

**2. Attaching Hooks:**

- Turn the hook 90 degrees and slot in the slider bar.
- Slide to either end of the slider bar and twist 90 degrees so that the hook is in the correct orientation.
- Slide it back along the slider bar.

Slider Bar



**Repeat step 2 to attach the rest of the hooks or reverse the process to remove them.**

